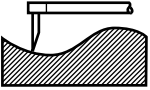
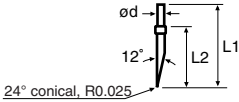
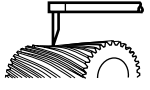
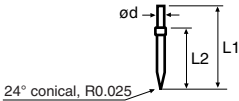

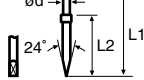
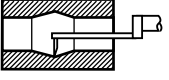
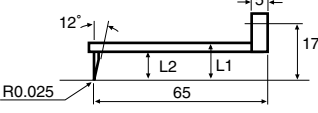

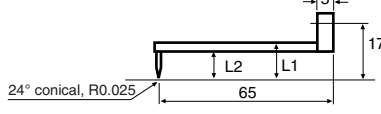
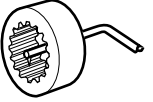
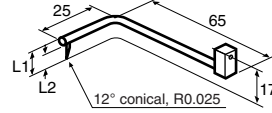
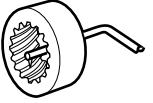
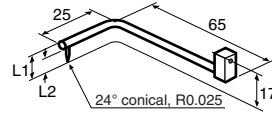
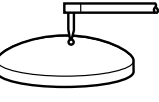
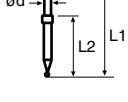
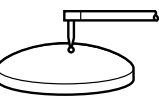
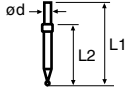


Contour Styluses

Applicable Models ■ E60A ■ C600D
 ■ C1600D
 ■ S1800D, S1800D-3DF

Stylus material: Cemented carbide

Measuring Application	Model	Outer Appearance	Specifications			Remarks
			d	L1	L2	
General purpose 	DT45501		3	60	52	
	DT45502		3	34	26	
	DT45503		2	21	13	
General purpose 	DT45504		3	60	52	• Standard accessory (C1600D, S1800D) (C1700, S1900)
	DT45505*		3	34	26	
	DT45506		2	21	13	
Edge line 	DT45507		3	60	52	
	DT45508*		3	34	26	
	DT45509		2	21	13	
Small holes 	DT45081		---	12	9	
	DT45082		---	7	5	
	DT45083		---	3.5	1.5	
Small hole threads 	DT45084*		---	12	9	
	DT45085		---	7	5	
	DT45086*		---	3.5	1.5	
Ordinary offset 	DT45087		---	12	9	• Offset: 25mm
	DT45088		---	7	5	
	DT45089		---	3.5	1.5	
Helix surface offset 	DT45090		---	12	9	• Offset: 25mm
	DT45091		---	7	5	
	DT45092		---	3.5	1.5	
High precision 	DT45522		3	60	52	• ϕ 0.7 ruby ball
	DT45523		3	34	26	
	DT45524		2	21	13	
High precision 	DT45525		3	60	52	• ϕ 1 ruby ball
	DT45526		3	34	26	
	DT45527		2	21	13	

* Indicates stylus/arm set (010 2999).

Contour Arms

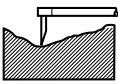
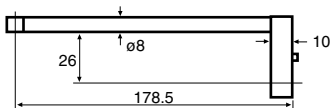
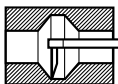
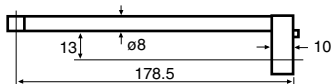
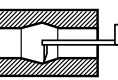
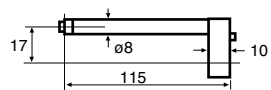
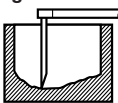
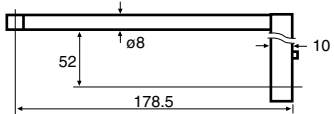

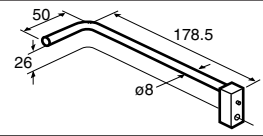
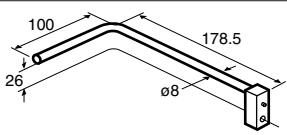
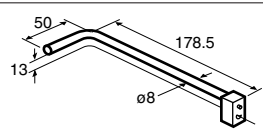
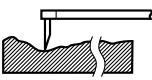
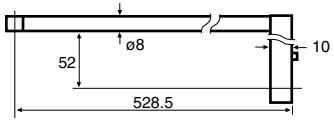
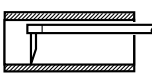
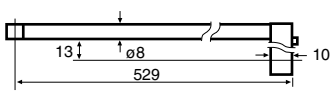
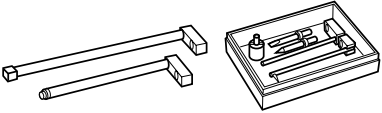
Applicable Models

■ E60A

■ C600D

■ C1600D

■ S1800D, S1800D-3DF

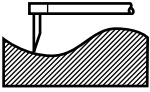
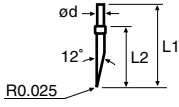
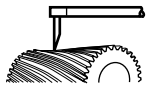
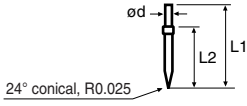

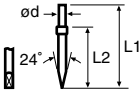
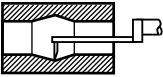
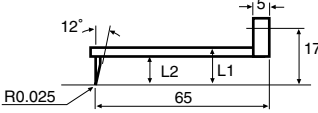
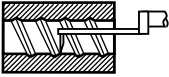
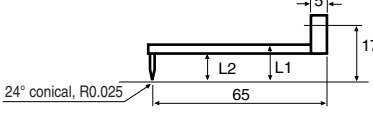
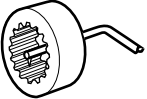
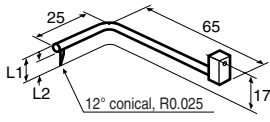
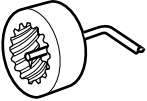
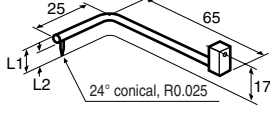
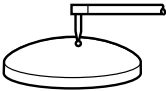
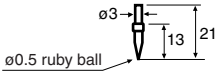
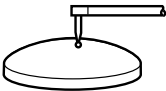
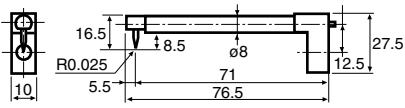
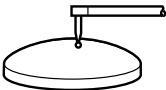
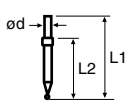
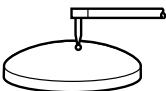
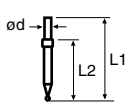
Measuring Application	Model	Outer Appearance	Applicable Stylus	Remarks
General purpose 	010 2800		DT45502 DT45505 DT45508	
Inner surface 	010 2801		DT45503 DT45506 DT45509	
Small holes 	010 2802*		DT45081 DT45092	
Deep grooves 	010 2804		DT45501 DT45504 DT45507	<ul style="list-style-type: none"> · Max. magnification: ×50 · 010 2744 pickup holder coupling required · Provided with auxiliary weight
Offset measurement 	010 2805		DT45502 DT45505 DT45508	<ul style="list-style-type: none"> · Max. magnification: ×100 · Offset: 50mm · Provided with auxiliary weight
	010 2806		DT45502 DT45505 DT45508	<ul style="list-style-type: none"> · Max. magnification: ×50 · Offset: 100mm · Provided with supplementary weight
	010 2807		DT45503 DT45506 DT45509	<ul style="list-style-type: none"> · Max. magnification: ×100 · Offset: 50mm
Long items 	010 2808		DT45501 DT45504 DT45507	<ul style="list-style-type: none"> · Max. magnification: ×10 · Lever movement range: 100mm · Sensitivity: 1/2 · Arc correction: 1/2 · Provided with supplementary weight · 010 2744 pickup holder coupling required
Long holes 	010 2810		DT45503 DT45506 DT45509	<ul style="list-style-type: none"> · Max. magnification: ×25 · Lever movement range: 100mm · Sensitivity: 1/2 · Arc correction: 1/2 · Provided with supplementary weight
Arm/stylus set	010 2999			Styluses: DT45505, DT45508, DT45084, DT45086 Arms: 010 2802, 010 2805

* Indicates stylus/arm set (010 2999).

Contour Styluses

Applicable Models ■ C2600E ■ S2800E, S2800E-3DF

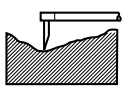
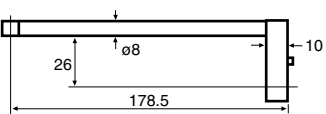
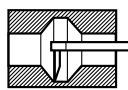
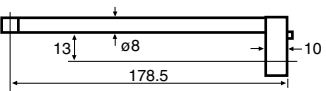
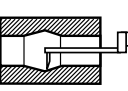
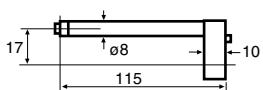
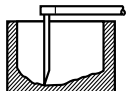
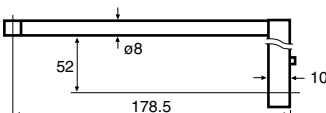
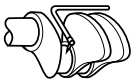
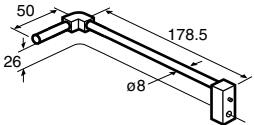
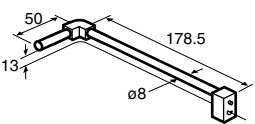
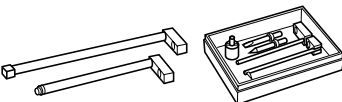
Stylus material: Cemented carbide

Measuring Application	Model	Outer Appearance	d	L1	L2	Remarks
General purpose 	DT45501		3	60	52	
	DT45502		3	34	26	
	DT45503		2	21	13	
General purpose 	DT45504		3	60	52	· Standard accessory
	DT45505*		3	34	26	
	DT45506		2	21	13	
Edge line 	DT45507		3	60	52	
	DT45508*		3	34	26	
	DT45509		2	21	13	
Small holes 	DT45510		---	12	9	· Measuring force: 10mN or less · Deflection: Approx. 1.5μm for 10mN
	DT45511		---	8	5	
	DT45512		---	4.5	1.5	
Small hole twist 	DT45513*		---	12	9	· Measuring force: 10mN or less · Deflection: Approx. 1.5μm for 10mN
	DT45514		---	8	5	
	DT45515*		---	4.5	1.5	
Ordinary offset 	DT45516		---	12	9	· Measuring force: 10mN or less · Deflection: Approx. 3μm for 10mN
	DT45517		---	8	5	
	DT45518		---	4.5	1.5	
Helix surface offset 	DT45519		---	12	9	· Measuring force: 10mN or less · Deflection: Approx. 3μm for 10mN
	DT45520		---	8	5	
	DT45521		---	4.5	1.5	
High precision 	DT45580		3	21	13	· φ0.5 ruby ball
High precision 	DT45583					· φ0.5 ruby ball · Integral with arm
High precision 	DT45522		3	60	52	· φ0.7 ruby ball
	DT45523		3	34	26	
	DT45524		2	21	13	
High precision 	DT45525		3	60	52	· φ1 ruby ball
	DT45526		3	34	26	
	DT45527		2	21	13	

* Indicates stylus/arm set (010 2999).

Contour Arms

Applicable Models ■ C2600E
■ S2800E, S2800E-3DF

Measuring Application	Model	Outer Appearance	Applicable Stylus	Remarks
General purpose 	DT45528		DT45502 DT45505 DT45508	Standard configuration (with supplementary weight) • Deflection: Approx. 1.2μm for 10mN Approx. 3.7μm for 30mN
Inner surface 	DT45529		DT45503 DT45506 DT45509	(Provided with supplementary weight) • Deflection: Approx. 1.2μm for 10mN Approx. 3.7μm for 30mN
Small holes 	DT45530*		DT45510 DT45521	Stylus combination arm for measuring small holes (with supplementary weight)
Deep grooves 	DT45531		DT45501 DT45504 DT45507	• Measuring force: 10mN or less (with supplementary weight) • Deflection: Approx. 1.2μm for 10mN Approx. 3.7μm for 30mN
Offset measurement 	DT45532*		DT45502 DT45505 DT45508	• Measuring force: 10mN or less (with supplementary weight) • Deflection: Approx. 2.6μm for 10mN Approx. 7.8μm for 30mN
	DT45533		DT45503 DT45506 DT45509	• Measuring force: 10mN or less (with supplementary weight) • Deflection: Approx. 2.6μm for 10mN Approx. 7.8μm for 30mN
Arm stylus set	DT45500			• Styluses: DT45505, DT45508, DT45513, DT45515 • Arms: DT45530, DT45532

* Indicates stylus/arm set (DT45500).